

GENERAC®
Portable Products

2300PSI

Pressure Washer Owner's Manual



**Problems?
Questions?**
Before taking your unit
back to the store,
call the pressure washer
helpline at
1-800-270-1408
M-F 8-5 CT



Model No. 1460-0 (2,300 PSI High Pressure Washer) Manual No. 186145 Revision 2 (7/14/2000)

Visit our Generac website: www.generac-portables.com



This is the safety alert symbol. It is used to alert you to potential personal injury hazards. Obey all safety messages that follow this symbol to avoid possible injury or death.



EQUIPMENT DESCRIPTION

CONGRATULATIONS on your purchase of a GENERAC high pressure washer. It has been designed, engineered and manufactured to give you the best possible dependability and performance.

This manual contains information for an high pressure washer that operates at 2,300 PSI at a flow rate of 2.2 gallons per minute. This high quality residential system features large 10" wheels, a pump equipped with an automatic cool down system, a chemical injection system, adjustable nozzle extension, safety goggles, a heavy duty 25' hose, and more.

Please read and retain this manual. The instructions will enable you to assemble your unit, and maintain your high pressure washer properly.


Every effort has been made to ensure that the information in this manual is both accurate and current. However, Generac reserves the right to change, alter or otherwise improve the product and its documentation at any time without prior notice.


Should you experience any problem you cannot easily fix, call the pressure washer helpline at **1-800-270-1408**.


CUSTOMER RESPONSIBILITIES

- Read and observe the safety rules.
- Follow regular schedule in maintaining, caring for and using your high pressure washer.
- For off-season storage, review "Preparing The Unit For Storage" on page 14.

SAFETY RULES

 **CAUTION!** When setting up, transporting, adjusting or making repairs to your high pressure washer, always disconnect the spark plug wire from the spark plug and place the wire where it cannot contact spark plug.

 **DANGER!** Engine exhaust contain DEADLY carbon monoxide gas. This dangerous gas, if breathed in sufficient concentrations, can cause unconsciousness or even death. Operate this equipment only in the open air where adequate ventilation is available.

 **DANGER!** Gasoline is highly FLAMMABLE and its vapors are EXPLOSIVE. **Do Not** permit smoking, open flames, sparks or heat in the vicinity while handling gasoline. Avoid spilling gasoline on a hot engine. Allow unit to cool for 2 minutes before refueling. Comply with all laws regulating storage and handling of gasoline.

Read this manual carefully and become familiar with your pressure washer. Know its applications, its limitations, and any hazards involved.

	WARNING:	
The engine exhaust from this product contains chemicals known to the State of California to cause cancer, birth defects, or other reproductive harm.		

- Locate this pressure washer in areas away from combustible materials, combustible fumes or dust.
- The high pressure equipment is designed to be used with Generac authorized parts **ONLY**. If you use this equipment with parts that **Do Not** comply with minimum specifications, the user assumes all risks and liabilities.
- **Do Not** allow CHILDREN to operate the pressure washer at any time.
- Always be certain the spray gun, nozzles and accessories are correctly attached.
- **Do Not** wear loose clothing, jewelry or anything that may be caught in the starter or other rotating parts.



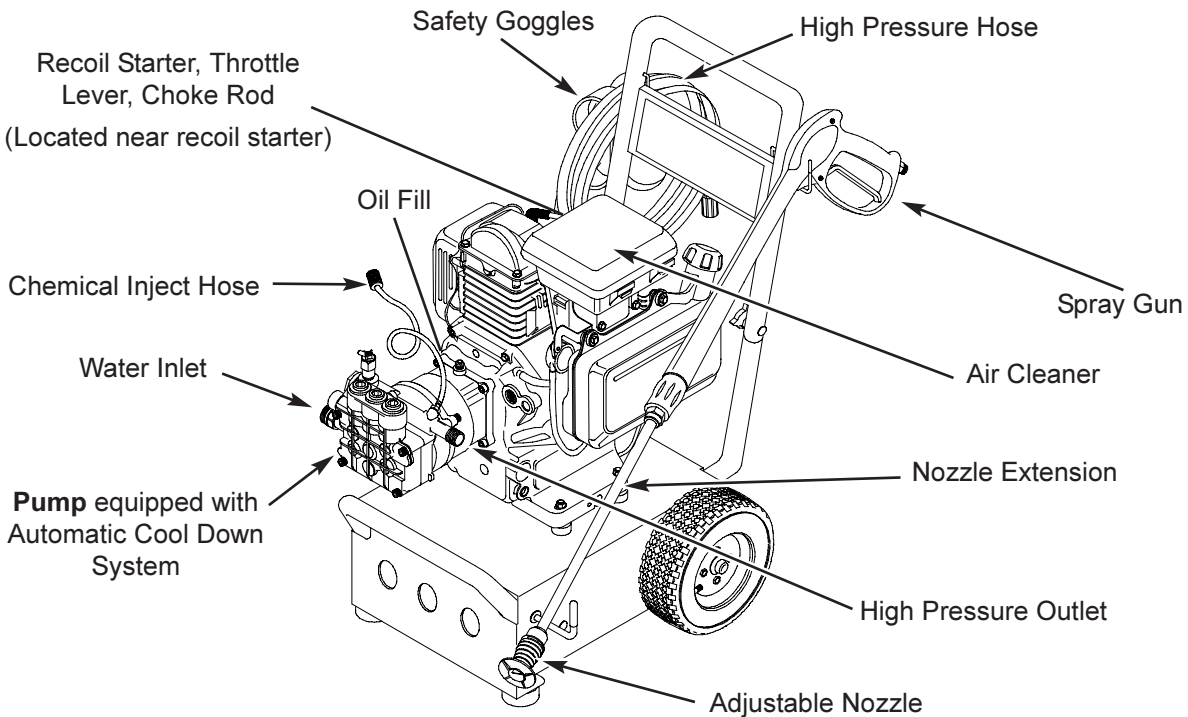
- Before starting the pressure washer in cold weather, check all parts of the equipment and be sure ice has not formed there.
 - Units with broken or missing parts, or without protective housing or covers, should **NEVER** be operated.
 - **Do Not** secure the spray gun in the open position.
 - Use a respirator or mask whenever there is a chance that vapors may be inhaled. Read all instructions with mask so you are certain the mask will provide the necessary protection against inhaling harmful vapors.
 - Always wear eye protection when you use this equipment or when you are in the vicinity where the equipment is in use.
 - The cleaning area should have adequate slopes and drainage to reduce the possibility of a fall due to slippery surfaces.
 - **Do Not** by-pass any safety device on this machine.
 - Keep the hose connected to machine or the spray gun while the system is pressurized. Disconnecting the hose while the unit is pressurized is dangerous.
 - Operate and store this unit on a stable surface.
 - Some chemicals or detergents may be harmful if inhaled or ingested, causing severe nausea, fainting or poisoning. The harmful elements may cause property damage or severe injury.
 - **Do Not** spray flammable liquids.
 - **Never** allow any part of the body to come in contact with the fluid stream. **Do Not** come in contact with a fluid stream created by leaks in high pressure hose.
 - High pressure spray can cause paint chips or other particles to become airborne.
 - **Do Not** operate the pressure washer above the rated pressure.
 - High pressure spray may damage fragile items including glass. **Do Not** point spray gun at glass when in the jet spray mode.
 - Keep water spray away from electric wiring or fatal electric shock may result.
 - **Never** use a spray gun which does not have a trigger lock or trigger guard in place and in working order.
 - **Never** aim the spray gun at people, animals or plants. The high pressure stream of water that this equipment produces can pierce skin and its underlying tissues, leading to serious injury and possible amputation.
 - Hold the spray gun firmly in your hand before you start the unit. Failure to do so could result in an injury from a whipping spray gun. **Do Not** leave the spray gun unattended while the machine is running.
 - **Never** move the machine by pulling on the high pressure hose. Use the handle provided on the unit.
 - High pressure hose can develop leaks from wear, kinking, abuse, etc. Water spraying from a leak is capable of injecting material into skin. Inspect hose each time before using it. Check all hoses for cuts, leaks, abrasions or bulging of cover, or damage or movement of couplings. If any of these conditions exist, replace hose immediately. **Never** repair high pressure hose. Replace it with another hose that exceeds maximum pressure rating of your unit.
 - Check the fuel system for leaks or signs of deterioration, such as chafed or spongy hose, loose or missing clamps, or damaged tank or cap. Correct all defects before operating the pressure washer.
 - Operate engine only at governed speed. Running the engine at excessive speeds increases the hazard of personal injury. **Do Not** tamper with parts which may increase or decrease the governed speed.
 - The muffler and engine heat up during operation and remain hot immediately after shutting it down. Avoid contact with a hot muffler or engine as you could be severely burned.
 - The muffler and air cleaner must be installed and in good condition before operating the pressure washer. These components act as spark arresters if the engine backfires.
- In the State of California a spark arrester is required by law (Section 4442 of the California Public Resources Code). Other states may have similar laws. Federal laws apply on federal lands.
- NOTE:** If you equip the muffler with a spark arrester, it must be maintained in effective working order. You can order a spark arrester through your authorized Honda service dealer.



KNOW YOUR PRESSURE WASHER

Read this owner's manual and safety rules before operating your pressure washer.

Compare the illustration below with your pressure washer to familiarize yourself with the locations of various controls and adjustments. Save this manual for future reference.



Adjustable Nozzle — Always attached to nozzle extension. Adjustable nozzle allows you to adjust force of spray and spray pattern.

Air Cleaner — Dry type filter element limits the amount of dirt and dust that gets into the engine.

Automatic Cool Down System — Cycles water through pump when internal water temperature reaches 140°-145°F. **Warm water will discharge from pump onto ground.**

Chemical Inject Hose — Siphons detergent into the spray pattern.

Choke Rod— Prepares a cold engine for starting.

Goggles — Always use the enclosed goggles or other eye protection when running your pressure washer.

High Pressure Hose — Connect one end to water pump and the other end to spray gun.

High Pressure Outlet — Connection for high pressure hose.

Nozzle Extension — Attach to spray gun to use adjustable nozzle.

Oil Fill—Oil input area.

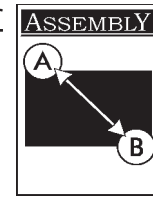
Pump — Develops high pressure.

Recoil Starter — Used for starting the engine manually.

Spray Gun — Controls the application of water onto cleaning surface with trigger device. Includes safety latch.

Throttle Lever —Sets engine in starting mode for recoil starter and stops a running engine.

Water Inlet — Connection for garden hose.



Read entire owner's manual before you attempt to assemble or operate your new pressure washer.

REMOVE PRESSURE WASHER FROM CARTON

- Remove the handle and parts box included with pressure washer.
- Slice two corners at the end of carton from top to bottom so the panel can be folded down flat, then remove all packing material.
- Roll pressure washer out of carton.

CARTON CONTENTS

Items in the carton include:

- Main Unit
- Parts Box (includes the following):
 - Adjustable Nozzle Extension
 - Emissions Control Warranty
 - Engine Manual
 - Engine Warranty
 - Goggles
 - Handle and Handle Hardware Bag
 - High Pressure Hose
 - Nozzle Cleaning Kit
 - O-Ring Maintenance Kit
 - Oil Bottle
 - Owner's Manual
 - Spray Gun
 - Warranty Card
 - Wireform

If any of the above parts are missing or damaged, call the pressure washer helpline at **1-800-270-1408**.

PREPARING PRESSURE WASHER FOR USE

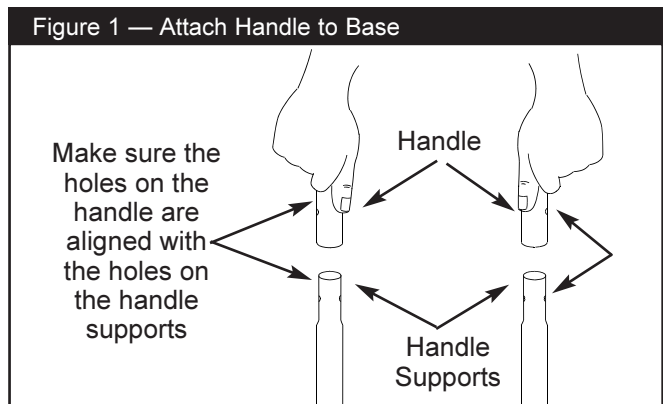
If you have any problems with the assembly of your pressure washer or if parts are missing or damaged, call the pressure washer helpline at **1-800-270-1408**.

To prepare your pressure washer for operation you will need to perform these tasks:

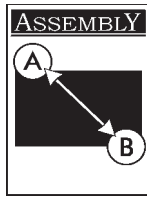
- Attach the handle and wire form.
- Add oil to the engine.
- Add fuel to the fuel tank.
- Connect the high pressure hose to the spray gun and the pump.
- Connect the water supply to the pump.

Attach the Handle

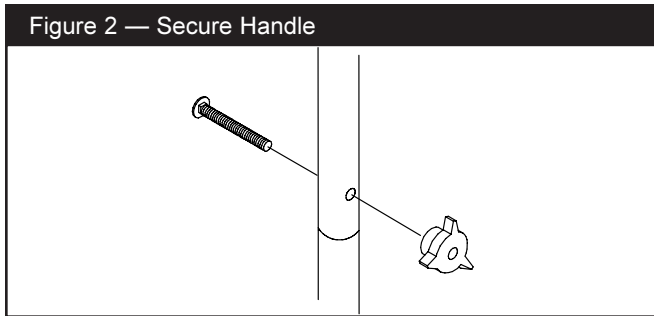
- Place the handle onto the handle supports already connected to the unit's base. Make sure the holes in the handle align with the holes on the handle supports (Figure 1).



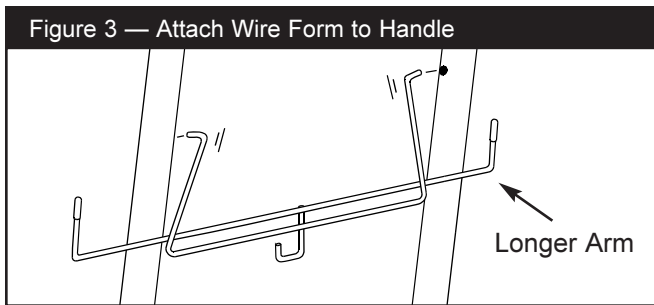
NOTE: It may be necessary to move the handle supports from side to side in order to align the handle so it will slide over the handle supports.



- Insert the carriage bolts through the holes on the handle and attach the plastic knobs. Tighten the knobs by hand (Figure 2).



- Insert the wire support with the longer arm positioned on the right, as viewed from the rear of the unit. The chemical bottle hook should resemble a “J” (Figure 3).



Add Engine Oil

IMPORTANT: Any attempt to crank or start the engine before it has been properly serviced with the recommended oil may result in an engine failure.

- Place pressure washer on a level surface.
- Refer to the engine owners manual to add recommended oil to engine.

NOTE: Check oil often during engine break-in. Refer to engine owner’s manual for recommendations.

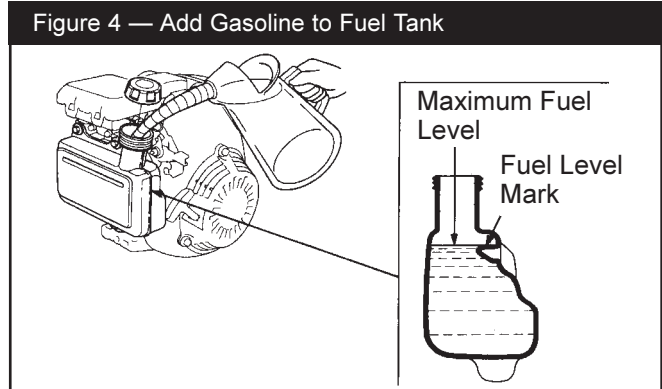
NOTE: The pump is pre-lubricated and sealed, requiring no additional lubrication for the life of the pump.

Add Gasoline

DANGER! Never fill fuel tank indoors, or when engine is running or hot. **Do Not** smoke when filling fuel tank.

WARNING! Never fill fuel tank completely full. Fill tank to provide space for fuel expansion. Wipe away any fuel spillage from engine and equipment before starting.

- Use clean fuel and store in approved, clean covered containers. Use clean fill funnels. **Never** use “stale” gasoline left over from last season or gasoline stored for long periods.
- Clean the area around the fuel fill cap, remove the cap (Figure 4).

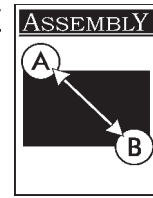


- Slowly add regular unleaded gasoline to fuel tank. Use a funnel to prevent spillage.
- Install the fuel cap and wipe up any spilled gasoline.

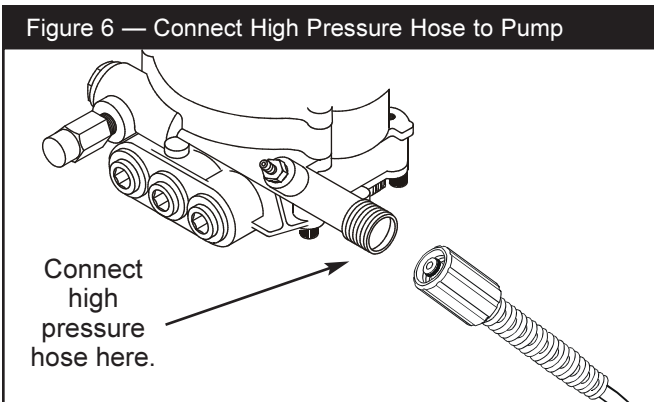
Connect Hose and Water Supply to Pump

IMPORTANT: You must attach all hoses before you start the engine. Starting engine without all hoses connected and water supplied will damage the pump.

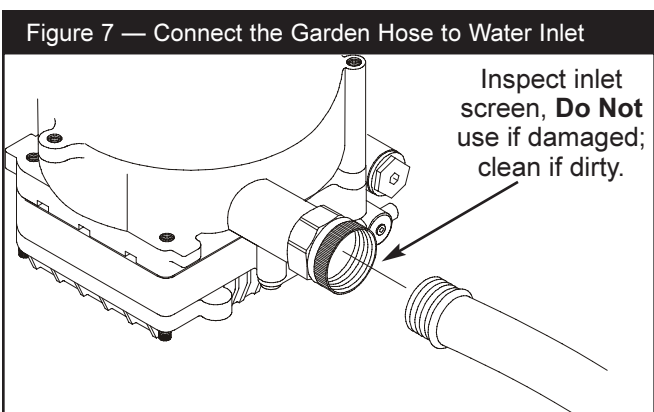
- Uncoil the high pressure hose and attach one end of the hose to the base of the spray gun (Figure 5). Tighten by hand.



- Attach the other end of the high pressure hose to the high pressure outlet on the pump (Figure 6). Tighten by hand.



- Before you connect your garden hose to the water inlet, inspect the inlet screen (Figure 7). Clean the screen if it contains debris or have it replaced if damaged. **DO NOT RUN THE PRESSURE WASHER IF THE SCREEN IS DAMAGED.**



- Run water through your garden hose for 30 seconds to clean out any debris.
- Connect the garden hose to the water inlet. Tighten by hand (Figure 7).

WARNING! There **MUST** be at least ten feet of unrestricted garden hose between the pressure washer inlet and any flow shut off device, such as a ‘Y’ shut-off connector or other convenience-type water shut-off valve. Damage to pressure washer resulting from disregarding this warning will not be covered by the warranty.

- Turn **ON** the water and squeeze the trigger on the gun to purge the pump system of air and impurities.

CAUTION! Before starting the pressure washer, be sure you are wearing adequate eye protection.

CHECKLIST BEFORE STARTING ENGINE

Review the unit’s assembly to ensure you have performed all of the following.

- Check that the handle is secure.
- Check that the wireform is properly installed.
- Check that oil and fuel has been added to the engine.
- Check for properly tightened hose connections.
- Check to make sure that there are no kinks, cuts, or damage to the high pressure hose.
- Provide a proper water supply (not to exceed 140° F) at an adequate flow.
- Be sure to read “Safety Rules” and “How To Start Your Engine” before using the pressure washer.



HOW TO USE YOUR PRESSURE WASHER

If you have any problems operating your pressure washer, please call the pressure washer helpline at 1-800-270-1408.

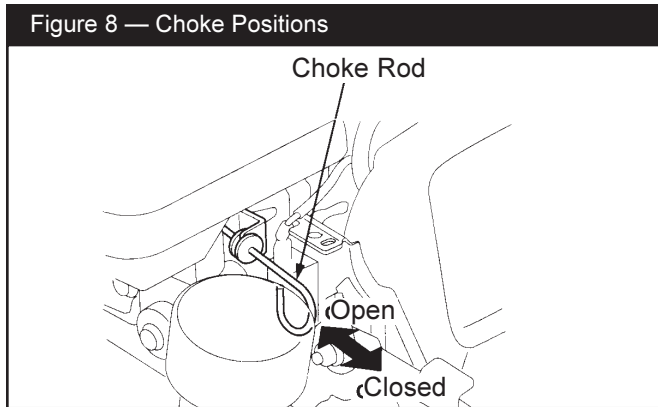
How to Start Your Engine

The best way to start your engine-powered pressure washer for the first time is to follow these instructions step-by-step. This starting information also applies whenever you start the engine after you have let the pressure washer sit idle for at least a day.

- Place the pressure washer in an area close enough to an outside water source that provides flow rate of 2.4 gallons per minute minimum.
- Make sure the unit is in a level position.
- Check that the high pressure hose is tightly connected to the spray gun and to the pump.
- Connect the garden hose to the water inlet on the pressure washer pump. **Turn ON the water.**

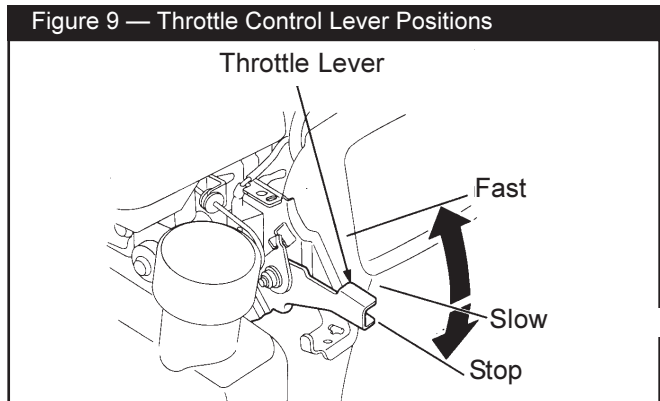
WARNING! Do Not run the pump without the water supply connected and turned on. You must follow this caution or the pump will be damaged.

- Pull the Choke rod to the **CLOSED** position (all the way out, Figure 8).

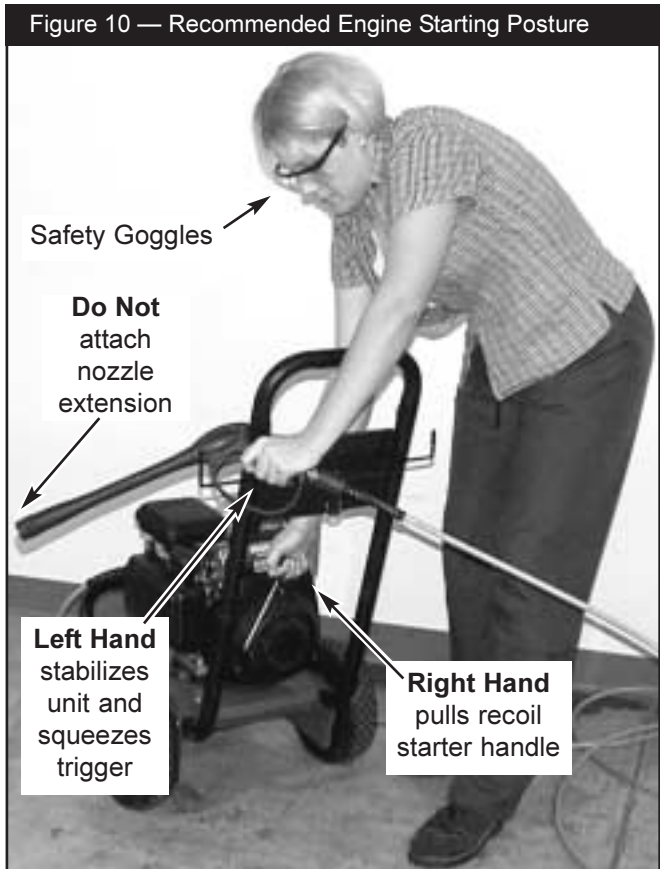


NOTE: For a warm engine, be sure the choke is in the **OPEN** position (no choke).

- Move the Throttle Control lever to the **“Fast”** position (Figure 9). Always keep the throttle in the **“Fast”** position while pressure washing.

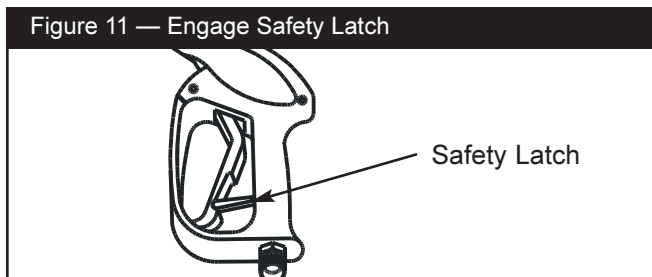


- Ensure that the nozzle extension is **NOT** attached to the spray gun. The spray gun should be held in the **left hand**, as shown in Figure 10. The left hand should also be used to steady the unit.

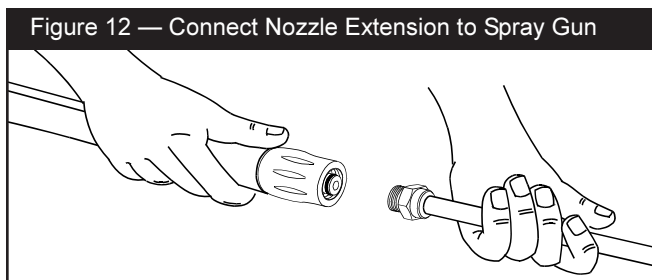




- Standing at the rear of the unit, squeeze the trigger on the spray gun. Water will flow out of the spray gun in a thin stream. Continue to squeeze the trigger.
- Grasp the recoil starter handle with your **right** hand and pull slowly until you feel some resistance. Then pull rapidly to start the engine.
- Return the starter handle slowly. **Do Not** let the rope “snap back” against the starter.
- If the engine fails to start repeat above steps or refer to the engine owner’s manual.
- If the choke was pulled to the CLOSED position to start the engine, slowly push it to the OPEN position as the engine runs smoother.
- Engage the safety latch to the spray gun trigger (Figure 11).



- Attach the nozzle extension to the spray gun. Tighten by hand (Figure 12).



How to Stop Your Pressure Washer

- Move the throttle lever to the “**Stop**” position.
- **Squeeze trigger on the spray gun to relieve pressure in the hose.**

NOTE: A small amount of water will squirt out from the spray gun when you squeeze the trigger.

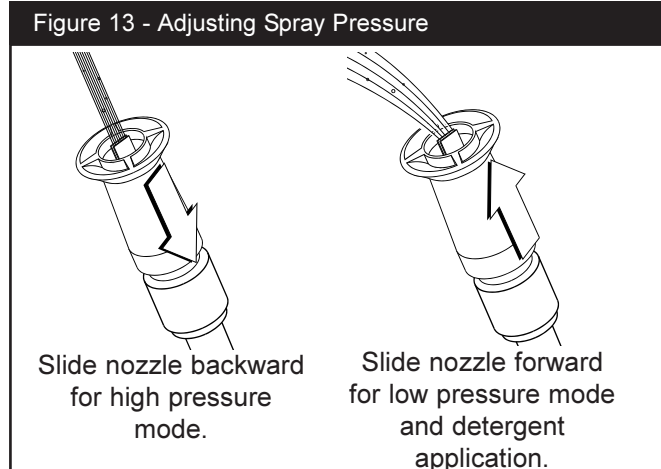
How to Use the Adjustable Nozzle

You now should know how to start your pressure washer and how to stop it. The information in this section will tell you how to adjust the spray pattern and apply detergent or any other cleaning chemicals.

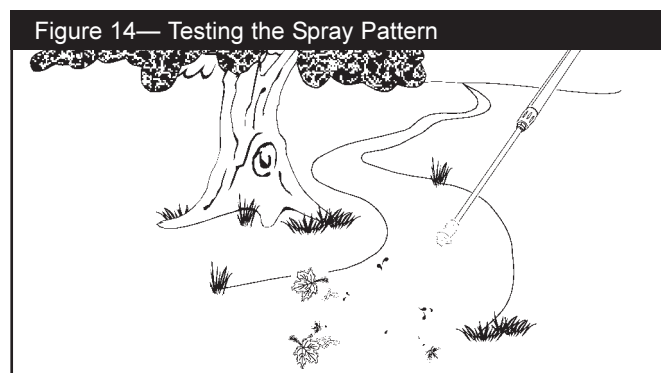
! DANGER! Never adjust spray pattern when spraying. Never put hands in front of nozzle to adjust spray pattern.

Your pressure washer is equipped with an adjustable nozzle that permits you to adjust the spray pattern and spray pressure, as follows:

- Slide the nozzle forward when you wish to adjust the spray to low pressure mode (Figure 13). Slide the nozzle backward to achieve high pressure.

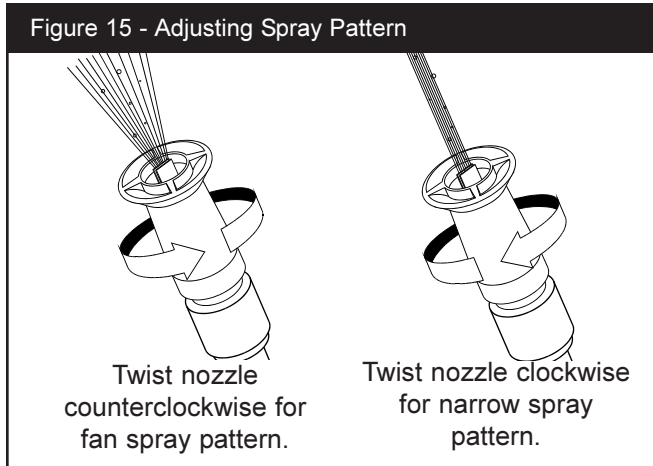


- Point the nozzle down towards a hard surface and press the trigger to test the pattern (Figure 14).





- Twisting the nozzle adjusts the spray pattern from a narrow pattern to a fan pattern (Figure 15).



- For most effective cleaning, keep spray nozzle between 8 to 24 inches away from cleaning surface.
- If you get the spray nozzle too close, especially using high pressure mode, you may damage the cleaning surface.
- **Do Not** get closer than 6 inches when cleaning automobile tires.

Applying Detergent with the Adjustable Nozzle

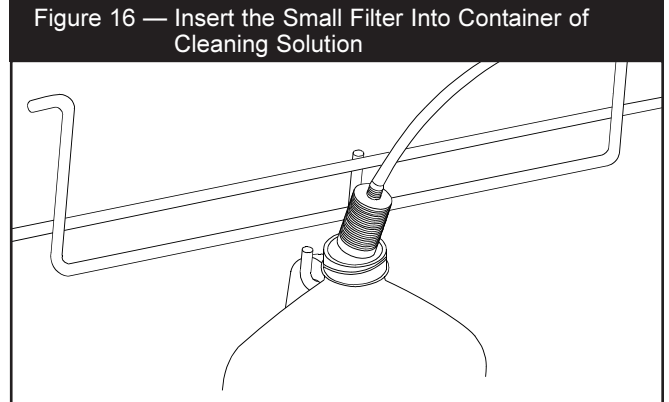
IMPORTANT: Use soaps designed specifically for pressure washers. Household detergents could damage the pump.

IMPORTANT: You must **attach all hoses** before you start the engine. Starting the engine without all the hoses connected and without the water turned ON will damage the pump.

To apply detergent follow these steps:

- Review the use of adjustable nozzles.
- Prepare detergent solution as required by the job.

- Hang the detergent solution on hook of the wireform on the handle (Figure 16).



- Place small filter end of the plastic chemical inject tube into the detergent container.

CAUTION! Keep the plastic chemical inject tube from coming in contact with the hot muffler. This will damage the tube. When inserting the filter into a cleaning agent bottle, route the tube so as to keep it from inadvertently contacting the hot muffler.

- Make sure garden hose is connected to water inlet. Check that high pressure hose is connected to spray gun and pump.

IMPORTANT: Detergent cannot be applied without the water source turned on.

- Start engine and attach nozzle extension.
- Slide the adjustable nozzle forward to low pressure mode. Detergent cannot be applied with nozzle in high pressure position.
- Apply detergent to a dry surface, starting from the bottom and working up.
- Allow the detergent to soak in between 3-5 minutes before washing and rinsing. Reapply as needed to prevent surface from drying.
- For washing, start at lower portion of area to be washed and work upward, using long, even overlapping strokes.



Pressure Washer Rinsing



WARNING! Be extremely careful if you must use the pressure washer from a ladder, scaffolding or any other unstable location. Pressure in a running washer builds as you climb. When you press the trigger, the initial spray recoil could cause you to fall. The high pressure spray could also cause you to fall if you are too close to the cleaning surface.

For Rinsing:

- Slide nozzle backward to high pressure and wait for detergent to clear.
- Keep the spray gun a safe distance from the area you plan to spray.
- Apply a high pressure spray to a small area and then check the surface for damage. If no damage is found, you can assume it is okay to continue cleaning.
- Start at top of area to be rinsed, working down with same overlapping strokes as you used for cleaning.

NOTE: You can also stop detergent from flowing by simply removing siphon from bottle.

Automatic Cool Down System (also known as Thermal Relief)

If you run the engine on your pressure washer for 3-5 minutes without pressing the trigger on the spray gun, circulating water in the pump can reach a temperature between 140–145°F. When the water reaches this temperature, the automatic cool down system engages and cools the pump by **discharging the warm water onto the ground**. This system prevents internal damage to the pump.

SPECIFICATIONS

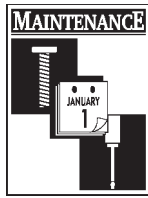
Outlet Pressure 2,300 psi

Flow Rate 2.2 gallons per minute (gpm)

Detergent Use detergent approved for pressure washers

Water Supply Temperature Not to exceed 140°F

Automatic Cool Down System Will cycle when water reaches 140°-145°F



GENERAL MAINTENANCE RECOMMENDATIONS

The warranty of the high pressure washer does not cover items that have been subjected to operator abuse or negligence. To receive the full value from the warranty, the operator must maintain the high pressure washer as instructed in this manual.

- Some adjustments will need to be made periodically to properly maintain your high pressure washer.
- All adjustments in the Maintenance section of this manual should be made at least once each season.
- Once a year you should clean or replace the spark plug and clean or replace the air filter and check the spray gun and nozzle extension assembly for wear. A new spark plug and clean air filter assure proper fuel-air mixture and help your engine run better and last longer.

Before Each Use

- Check engine oil level.
- Check water inlet screen for damage.
- Check high pressure hose for leaks.
- Check chemical injection tube and filter for damage.
- Check spray gun and adjustable nozzle extension assembly for leaks.
- Rinse out garden hose to flush out debris **before** attaching to pressure washer.

PRESSURE WASHER MAINTENANCE

Check and Clean Inlet Screen

Examine the screen on the water inlet. Clean it if the screen is clogged or replace it if screen is damaged.

Check High Pressure Hose

The high pressure hose can develop leaks from wear, kinking, or abuse. Inspect the hose each time before using it. Check for cuts, leaks, abrasions or bulging of cover, damage or movement of couplings. If any of these conditions exist, replace the hose immediately.



DANGER! Water spraying from a leak is capable of injecting material into skin. Inspect hose each time before using it. **Never** repair a high pressure hose. Replace it with another hose that exceeds the maximum pressure rating of your pressure washer.

Check Chemical Injection Tube

Examine the filter on the detergent hose and clean if clogged. The tube should fit tightly on the barbed fitting. Examine the tube for leaks or tears. Replace the filter or tube if either is damaged.

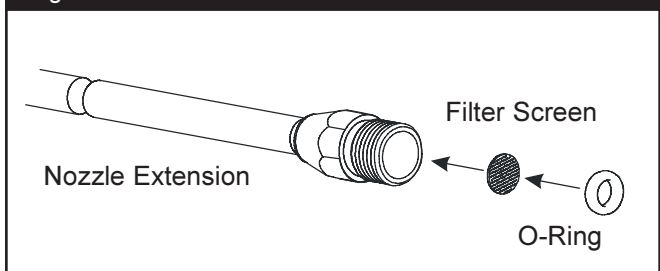
Check Gun and Adjustable Nozzle Extension

Examine the hose connection to the spray gun and make sure it is secure. Test the trigger by pressing it and making sure it springs back into place when you release it. Put the safety latch in the "On" position and test the trigger. You should not be able to press the trigger.

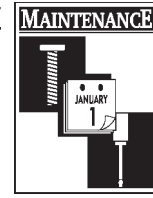
Check In-Line Filter

Refer to Figure 17 and service the in-line filter if it becomes clogged, as follows:

Figure 17 — Service In-Line Filter



1. Detach spray gun and nozzle extension from high pressure hose. Detach nozzle extension from spray gun and remove o-ring and screen from nozzle extension. Flush the screen, spray gun, and nozzle extension with clean water to clear debris.
2. If the screen is damaged, the o-ring kit contains a replacement in-line filter screen and an o-ring. If undamaged, reuse screen.



3. Place the in-line filter screen into the threaded end of the nozzle extension. Direction does not matter. Push the screen in with the eraser end of a pencil until it rests flat at the bottom of the opening. Take care to not bend the screen.
4. Place the o-ring into the recess. Push the o-ring snugly against the in-line filter screen.
5. Assemble the nozzle extension to the spray gun, as described earlier in this manual.

Purge Pump of Air and Contaminants

To remove air from the pump, follow these steps:

- Set up the pressure washer as described in the “Preparing Pressure Washer for Use” section and connect the water supply.
- Pull the trigger on the spray gun and hold.

To remove contaminants from the pump, follow these steps:

- Set up the pressure washer as described in “Preparing Pressure Washer for Use” and connect the water supply.
- Remove the nozzle extension from the spray gun.
- Start the engine according to instructions in “How To Start Your Engine”.
- Squeeze the trigger on the spray gun and hold.
- When the water supply is steady and constant, engage the safety latch and refasten the nozzle extension.

Cleaning Chemical Injection Tube

If you have used the chemical injection tube you must flush it with clean water before stopping the engine.

- Place the chemical injection tube in a bucket full of clean water.
- Flush for 1–2 minutes.
- Shut off the engine.

IMPORTANT: Simply shutting OFF engine will not release pressure in the system. When the engine has shut down, **squeeze the trigger on the** spray gun to relieve the pressure in the hose.

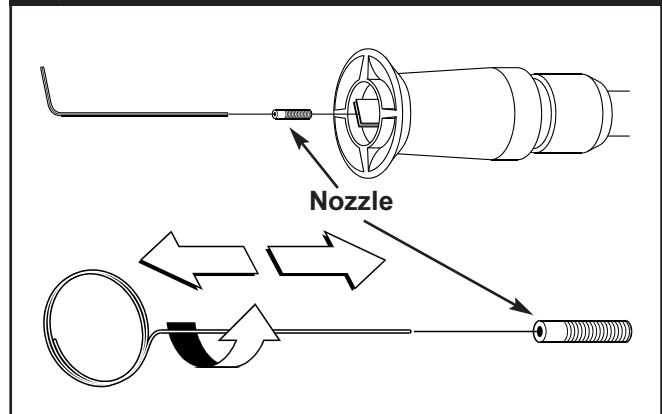
Nozzle Maintenance

If the adjustable nozzle becomes restricted or clogged with foreign materials, such as dirt, excessive pump pressure may develop. If this nozzle becomes partially clogged, it can cause a pulsing sensation during use. This generally is not a pump related problem, but rather a clogged or partially restricted adjustable nozzle.

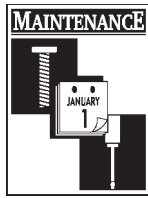
Immediately clean a clogged nozzle with the kit included with your pressure washer by following these instructions:

- Shut off the engine and turn off the water supply.
- Separate the nozzle extension from the spray gun.
- Adjust the nozzle extension to the stream position.
- Remove nozzle from the end of the nozzle extension (Figure 18) using a 2mm or 5/64 allen wrench.

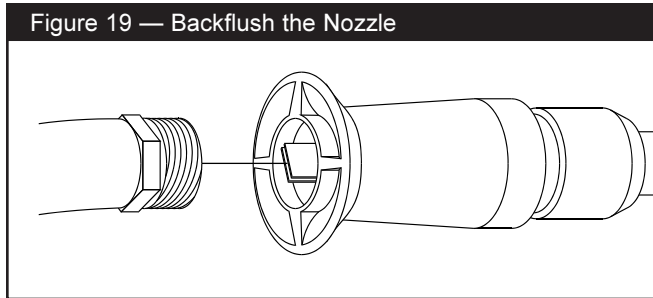
Figure 18 — Remove and Clean Nozzle



- Use the wire included in the kit (Figure 18) or a small paper clip to free the foreign materials clogging or restricting the nozzle.



- Remove additional debris by back flushing water supply through nozzle extension (Figure 19). Back flush between 30 to 60 seconds. Turn nozzle extension to stream spray and move nozzle from low to high while flushing.



- Reinstall nozzle into the nozzle extension. **Do Not** over tighten.
- Reconnect the water supply, turn on the water, and start the engine.
- Attach the nozzle extension to the spray gun.
- Test pressure washer operation with the adjustable nozzle in both high and low positions.

O-Ring Maintenance

O-rings keep the connections of the hoses and spray gun tight and leak-free. Through the normal operation of your pressure washer, o-rings may become worn or damaged.

Provided with your pressure washer is an O-Ring Maintenance Kit which includes replacement o-rings, rubber washer and water inlet filter. Refer to the instruction sheet provided in the kit to service your unit's o-rings. Note that not all of the parts in the kit will be used on your unit.

To remove a worn or damaged o-ring:

- Use a small flathead screwdriver to get underneath the o-ring and pry it off.

ENGINE MAINTENANCE

See the engine owner's manual for instructions on how to properly maintain the engine.

PREPARING THE UNIT FOR STORAGE

Water should not remain in the unit for long periods of time. Sediments of minerals can deposit on pump parts and "freeze" pump action. If you do not plan to use the pressure washer for more than 30 days, follow this procedure:

1. Flush chemical injection tube by placing the filter into a pail of clean water while running pressure washer in low pressure (adjustable nozzle in forward position). Flush for one to two minutes.
2. Shut off the engine and let it cool, then remove all hoses.
3. Place the throttle lever in "**Stop**" position.

WARNING! Be sure lever is in "**Stop**" position before you continue. If you start engine without proper water supply connected, you can damage pump.

4. Empty the pump of all pumped liquids by pulling the recoil handle about 6 times. This should remove most of the liquid in the pump.

NOTE: To protect the unit from freezing temperatures, draw RV antifreeze (no alcohol) into the pump by pouring the antifreeze into a 3-foot section of garden hose connected to inlet adapter and pulling recoil handle twice.

5. Store in a clean, dry area.

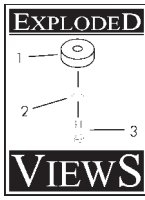
STORING THE ENGINE

See the engine owner's manual for instructions on how to properly store the engine.

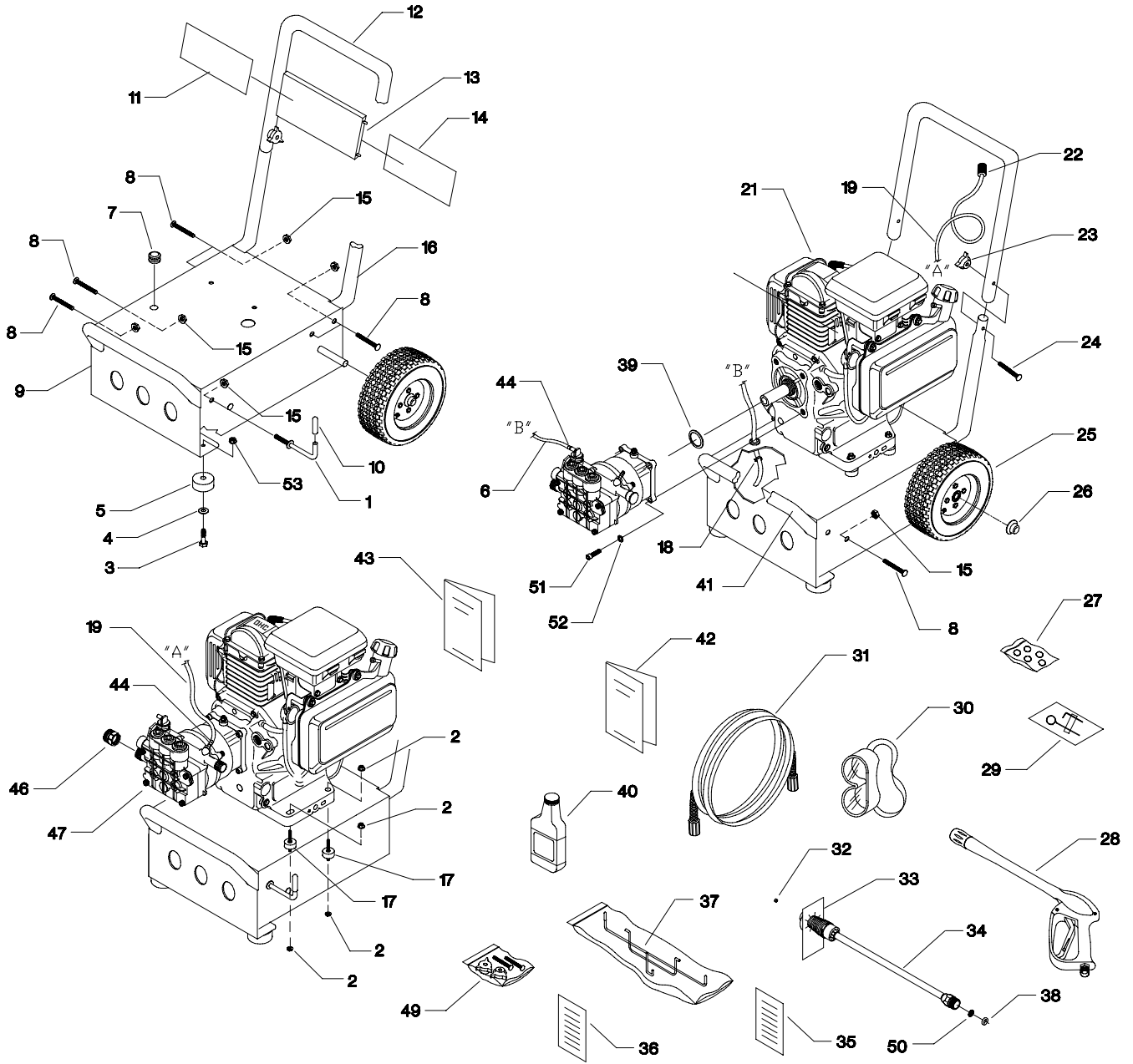


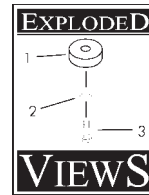
TROUBLESHOOTING

Problem	Cause	Solution
Pump has the following problems: Failure to produce adequate pressure, erratic pressure, chattering, loss of pressure or low water volume.	<ol style="list-style-type: none"> 1. Lance in low pressure. 2. Water inlet is blocked. 3. Inadequate water supply. 4. Garden hose is kinked or leaking. 5. Clogged water inlet screen. 6. Water supply is over 140°F. 7. Outlet hose is blocked or leaks. 8. Gun leaks. 9. Nozzle is obstructed. 10. Pump is faulty. 	<ol style="list-style-type: none"> 1. Adjust chemical valve handle to high pressure. 2. Clear inlet. 3. Make sure you have at least a 2.4 GPM flow for your garden hose. 4. Straighten garden hose or patch leak. 5. Check and clean water inlet screen. 6. Provide cooler water supply. 7. Clear blocks in outlet hose. Replace immediately if leaking. 8. Replace gun. 9. Clear nozzle. 10. Contact Generac service facility.
Detergent fails to mix with spray.	<ol style="list-style-type: none"> 1. Chemical injector hose is not submerged. 2. Chemical injector hose is clogged. 3. Lance is in high pressure mode. 	<ol style="list-style-type: none"> 1. Insert chemical line into detergent. 2. Clean or replace filter/chemical injector hose. 3. Put dual lance into low pressure mode.
Engine runs well when not spraying but “bogs down” when trigger is squeezed.	Engine speed is too slow.	Contact Honda service facility.
Engine will not start; or starts and runs rough.	<ol style="list-style-type: none"> 1. Low oil level. 2. Dirty air cleaner. 3. Out of gasoline. 4. Stale gasoline. 5. Spark plug wire not connected to spark plug. 6. Bad spark plug. 7. Water in gasoline. 8. Excessively rich fuel mixture. 9. Intake valve stuck open or closed. 10. Engine has lost compression 	<ol style="list-style-type: none"> 1. Fill crankcase to proper level. 2. Clean or replace air filter. 3. Fill fuel tank. 4. Drain gas tank; fill with fresh fuel. 5. Connect wire to spark plug. 6. Replace spark plug. 7. Drain as tank fill with fresh fuel. 8. Contact Honda service facility. 9. Contact Honda service facility. 10. Contact Honda service facility.
Engine shuts down during operation.	<ol style="list-style-type: none"> 1. Out of gasoline. 2. Low oil level. 	<ol style="list-style-type: none"> 1. Fill fuel tank. 2. Fill crankcase to proper level.
Engine lacks power.	Dirty air filter.	Replace air filter.
Engine “hunts” or falters.	Engine is not operating properly.	Contact Honda service facility.



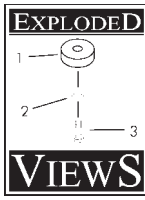
EXPLODED VIEW – UNIT



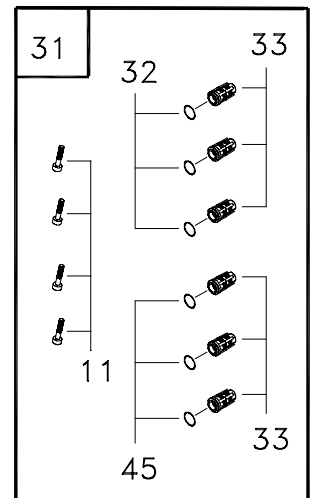
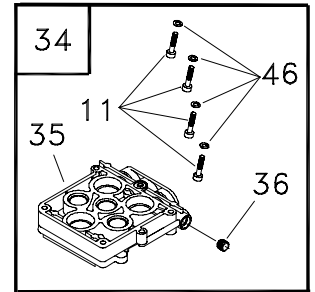
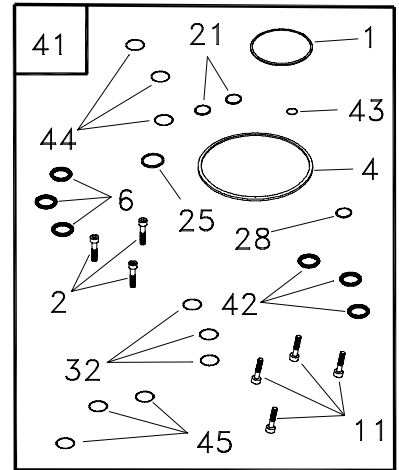
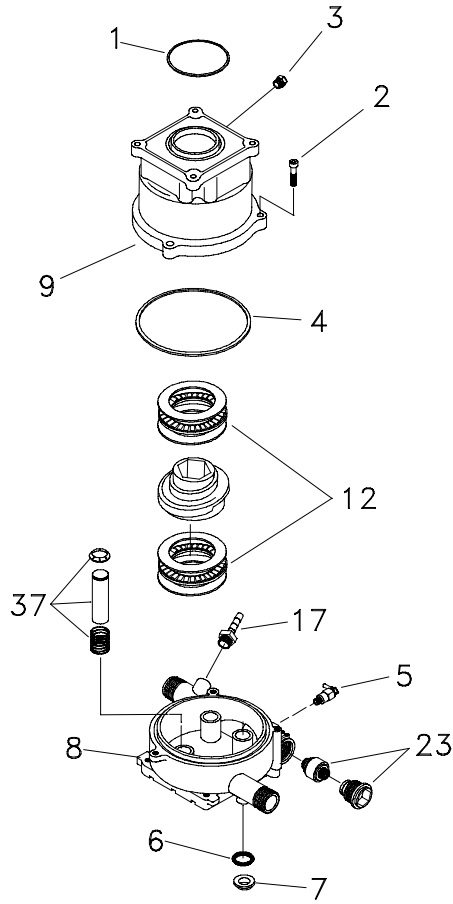
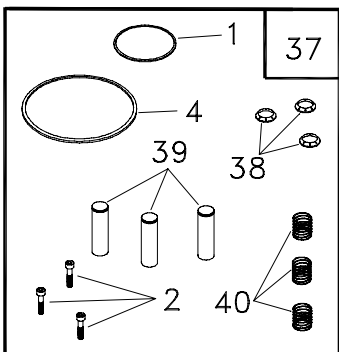
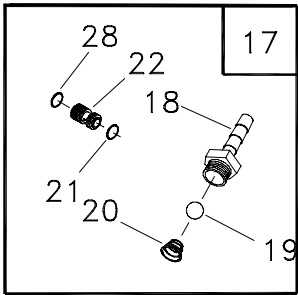
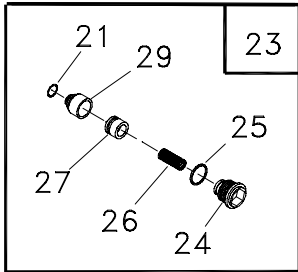
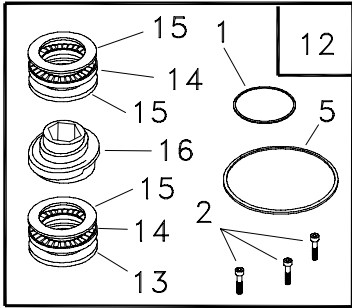


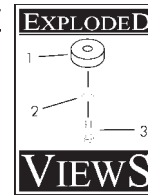
PART LIST – UNIT

Item	Part #	Qty	Description	Item	Part #	Qty	Description
1	B2150	1	HOOK, Gun	27	B5830	1	KIT, "O" Ring
2	67989	8	NUT, M8 Flange Serr.	28	B3263	1	GUN, High Pressure
3	42909	2	HHCS, M8 1.25 x 30	29	B2163	1	KIT, Nozzle Cleaning
4	50190	2	WASHER, M8 Flat	30	87815	1	GOGGLES, Safety
5	27007	2	MOUNT, Donut Type Vibration	31	B5642	1	HOSE, High Pressure
6	B3107	1	HOSE, Thermal Drain	32	21761	1	NOZZLE, 1.05 Yellow Replacement
7	30809	1	GROMMET, Rubber	33	97566	1	TAG, Nozzle Instructions
8	B2043	7	BOLT, 5/16"-18 x 1-3/4" Carriage	34	B3335	1	LANCE, Nozzle Hi/Lo
9	AB5721	1	BASE	35	NSP	1	WARANTY, Honda Emissions
10	B2516	1	CAP, Vinyl (black)	36	NSP	1	WARANTY, Honda Engine
11	186153	1	DECAL, Logo	37	B2168A	1	WIREFORM, Hose, Gun, Jug
12	B1983	1	HANDLE	38	97837	1	O RING, Hi Pressure Transfer
13	B1631A	1	BILLBOARD, Plastic	39	B2218	1	O-RING, 1.625 I.D.
14	B2796	1	DECAL, Instructions, Start	40	BB3061B	1	OIL
15	99583	9	NUT, Flange Lock 5/16"-18	41	B1982	1	BUMPER
16	B1981	2	SUPPORT, Handle	42	NSP	1	MANUAL, Engine
17	21217	4	MOUNT, Rubber Shock	43	186145	1	MANUAL
18	48031B	1	CLAMP, Hose Band	44	48031G	2	CLAMP, Hose Band
19	A1040D	1	HOSE, 4-1/2' Chemical Clear	46	21424	1	CONNECTOR, Garden Hose
21	NSP	1	ENGINE	47	B4925B	1	ASSEMBLY, Pump
22	A1041	1	FILTER, Chemical Hose	49	B2203	1	KIT, Handle Fastening
23	97178	2	KNOB, Handle 1/4" - 20 PW	50	B4224	1	SCREEN, Gun Inlet
24	31669	2	BOLT, 1/4" - 20 x 1-3/4" Carriage	51	23707	4	SHCS, 5/16 - 24 x 1
25	B4966	2	TIRE, 10"	52	92479	4	WASHER, M8 Conical Ribbed
26	75402C	2	PUSHNUT, 5/8" Dia.	53	52858	2	NUT, Locking M8 - 1.25



EXPLODED VIEW-PUMP





PART LIST-PUMP

Item	Part #	Qty	Description	Item	Part #	Qty	Description
1	B2218	1	O-RING, 1.625 ID x .103	31	185712	0	KIT, CHECK VALVES
2	97962	3	SHCS, M6 - 1 x 25	11	4	SHCS, M6-1.0 x 35
3	B5710	1	VALVE, 1/8 npt 1-5 PSI	32	3	O-RING, Check Valve
4	97835	1	O-RING, Housing Seal	33	6	ASSY., Check Valve
5	B3090	1	VALVE, Thermal Relief	45	3	O-RING, Check Valve, White
6	93680	3	SEAL, Oil Piston	34	185531	0	KIT, HEAD BRASS EG
7	97831	3	SPACER, Pilot	11	4	SHCS, M6-1.0 x 35
8	B2702	1	HOUSING, Piston	35	1	HEAD, Pump
9	B4813	1	ADAPTER, Engine	36	1	PLUG, 1/8-28
10	97841	3	CAP, Outlet Check Valve	46	4	WASHER, M6 Flat
11	40946	4	SHCS, M6-1.0 x 35	37	185713	0	KIT, PISTON & SPRING
12	185715	0	KIT, AXIAL CAM	1	1	O-RING, Engine Seal
1	1	O-RING, Engine Seal	2	3	SHCS, M6 - 1 x 25
2	3	SHCS, M6 - 1 x 25	4	1	O-RING, Housing Seal
4	1	O-RING, Housing Seal	38	3	RETAINER, Piston Spring
13	1	WASHER, Brg. 36 x 65 x 6Thk	39	3	PISTON, Dia. 15 x 65
14	2	ASSY., Brg. Cage 45 x 65	40	3	SPRING, Piston Return
15	3	WASHER, Brg. 45 x 65 x 1	41	185714	0	KIT, O-RING/SEAL 2300
16	1	CAM, Axial 5.6 3/4"SAE	1	1	O-RING, Engine Seal
17	185287	0	KIT, CHEM INJECT	2	3	SHCS, M6 - 1 x 25
18	1	FITTING, Chem Inject	4	1	O-RING, Housing Seal
19	1	BALL, Chem Inject	6	3	SEAL, Oil Piston
20	1	SPRING, Chem Inject	11	4	SHCS, M6-1.0 x 35
21	1	O-RING, Venturi & Seat, Black	21	2	O-RING, Venturi & Seat, Black
22	1	VENTURI, Chem Inject	25	1	O-RING, Unloader Cap
28	1	O-RING, Venturi, Yellow	28	1	O-RING, Venturi, Yellow
23	185711	0	KIT, UNLOADER 2300	32	3	O-RING, Check Valve
21	1	O-RING, Venturi & Seat, Black	42	3	SEAL, Double-Lip
24	1	CAP, Unloader	43	1	O-RING, High Pressure Transfer
25	1	O-RING, Unloader Cap	44	3	O-RING, Outlet CV Cap
26	1	SPRING, Unloader	45	3	O-RING, Check Valve, White
27	1	PISTON, Unloader				
29	1	SEAT, Unloader				

Item numbers 12, 17, 23, 31, 34, 37, and 41 are service kits and include all parts shown within the box. Certain parts may only be available as components of a kit.

LIMITED PRESSURE WASHER WARRANTY

GENERAC PORTABLE PRODUCTS (hereafter referred to as the COMPANY) warrants to the original retail purchaser, the pressure washer manufactured by the COMPANY to be free from defects in material and workmanship for the period(s) set forth below from the date of original purchase. This warranty is not transferable. The term "original purchaser" means the person for whom the pressure washer is originally purchased.

Warranty Schedules

Electric Power Washer	1 year (does not apply to commercial or rental applications)		
		CONSUMER*	COMMERCIAL*
All Other Engine-driven	Engine:	Warranted solely by Engine Manufacturer	Warranted solely by Engine Manufacturer
	Pump:	1 year	90 days

*** NOTE: For the purpose of this warranty "consumer" use means personal residential household use by original purchaser. "Commercial" use means all other uses, including rental, construction, commercial and income producing purposes. Once a pressure washer has experienced commercial use, it shall thereafter be considered a commercial use pressure washer for the purposes of this warranty.**

During said warranty period, the COMPANY will, at its option, repair or replace any part which, upon examination by the COMPANY or COMPANY-Authorized Dealers, is found to be defective under normal use and service**. All transportation costs under warranty, including return to the factory if necessary, are to be borne by the purchaser and prepaid by the purchaser.

**** NORMAL WEAR: As with all mechanical devices, pressure washers need periodic parts service and replacement to perform well. This warranty does not cover repair when normal use has exhausted the life of a part or pressure washer pump.**

This warranty does not include: Used products and demonstration equipment. Parts, such as GUNS, HOSES, WANDS, NOZZLES or other wear items such as quick couplers, oil, gauges, belts, o-rings, filters, pump packing, etc. Pumps which have been run without water supplied. Damage or malfunctions resulting from: accidents, abuse, modifications, alterations, or improper servicing. Freezing or chemical deterioration. Normal maintenance such as adjustments, fuel system cleaning and obstruction (due to chemical, dirt, carbon or lime, etc.).

THIS WARRANTY IS IN PLACE OF ALL OTHER WARRANTIES, EXPRESS OR IMPLIED, SPECIFICALLY, THE COMPANY MAKES NO OTHER WARRANTIES AS TO MERCHANTABILITY OR FITNESS FOR A PARTICULAR PURPOSE. THE DURATION OF ANY IMPLIED WARRANTIES WHICH CANNOT BE DISCLAIMED IS LIMITED TO THE TIME PERIOD AS SPECIFIED IN THE EXPRESS WARRANTY. LIABILITY FOR CONSEQUENTIAL, INCIDENTAL, OR SPECIAL DAMAGES UNDER ANY AND ALL WARRANTIES IS EXCLUDED, EVEN IF SUCH DAMAGES ARE A DIRECT RESULT OF THE COMPANY'S NEGLIGENCE. THE COMPANY ALSO DISCLAIMS ANY RESPONSIBILITY FOR INCIDENTAL OR CONSEQUENTIAL DAMAGES SUCH AS THE LOSS OF TIME OR THE USE OF THE POWER EQUIPMENT, OR ANY COMMERCIAL LOSS DUE TO THE FAILURE OF THE EQUIPMENT: AND ANY IMPLIED WARRANTIES ARE LIMITED TO THE DURATION OF THIS WRITTEN WARRANTY.

Some states do not allow limitations on how long an implied warranty lasts, or the exclusion or limitation of incidental or consequential damages, so the above limitations or exclusions may not apply to you. This warranty gives you specific legal rights and you may also have other rights, which vary from state to state.

For service, see your nearest COMPANY-Authorized warranty service facility or call 1-877-544-0982. Warranty service can be performed only by a COMPANY-Authorized service facility. This warranty will not apply to service at any other facility. At the time of requesting warranty service, evidence of original purchase date must be presented.

Generac Portable Products

Jefferson, Wisconsin U.S. A.